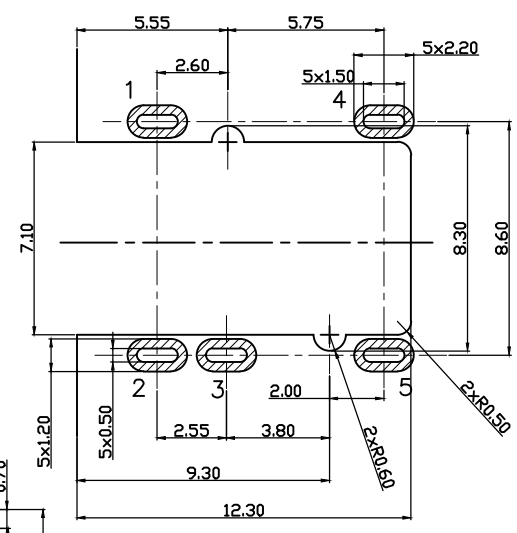
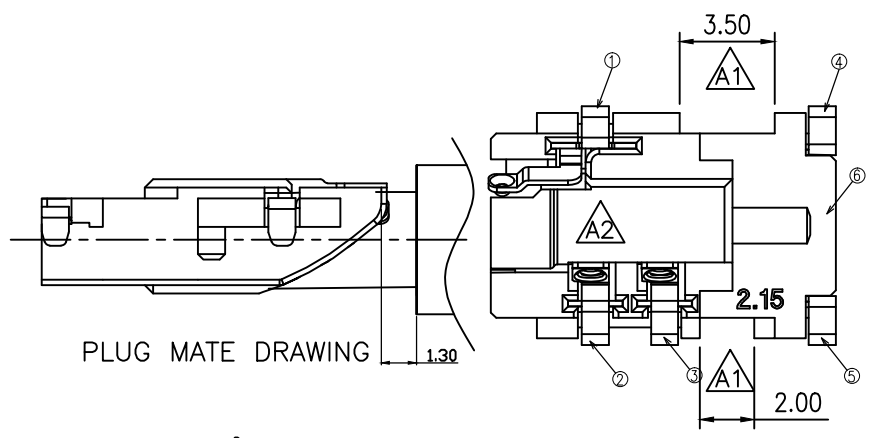
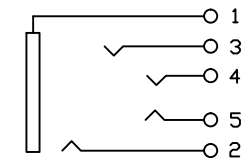
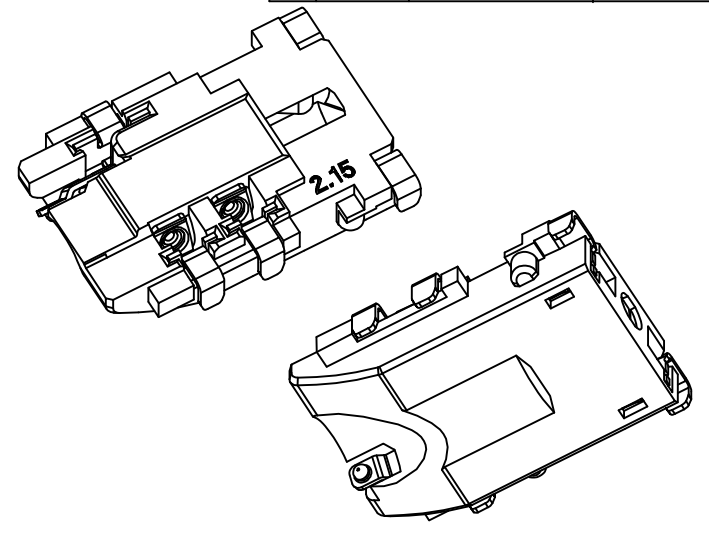


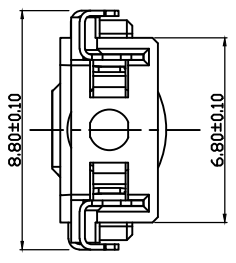
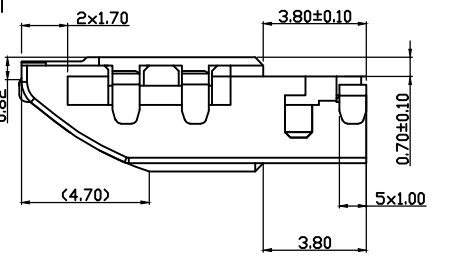
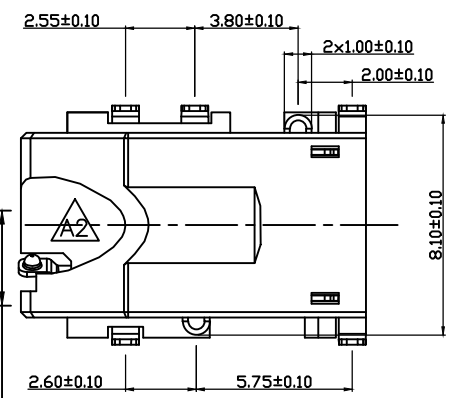
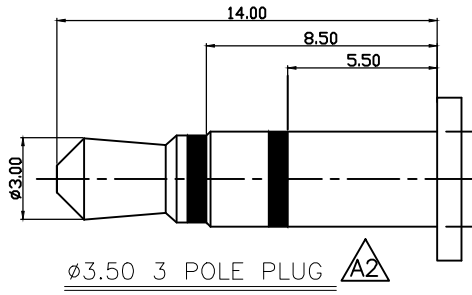
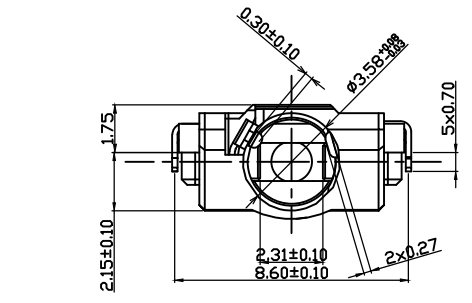
REV.	ECN.NO.	MODIFY.CONTENT	DATE
A		NEW	2018/05/29



TOLERANCE : ±0.05
RECOMMEND PCB LAYOUT
(TOP VIEW)



- NOTES:
- MATERIAL:
 - HOUSING: UL94V-0, COLOR: BLACK
 - CONTACT: SUS ALLOY
 - PLATING:
 - CONTACTS PLATING: SEE ORDERING INFORMATION
 - RATING
 - OPERATING VOLTAGE: 30VAC/DC.
 - CURRENT RATING: 0.5A AC/DC.
 - OPERATING TEMPERATURE: -25°C~+85°C



GENERAL TOLERANCE		DWG NO.	APPD:	WIND	Scale	1:1
X.±0.45	x.'±5'	Title	CHKD:		UNIT	mm
.X±0.35	.x'±2'		DR:			
.XX±0.25	.xx'±1'	Part NO.	Date	2018/05/29		
.XXX±0.15	.xxx'±0.5'					
SHEET	1/1	Shenzhen		JYCONN Electronics Co., LTD.		