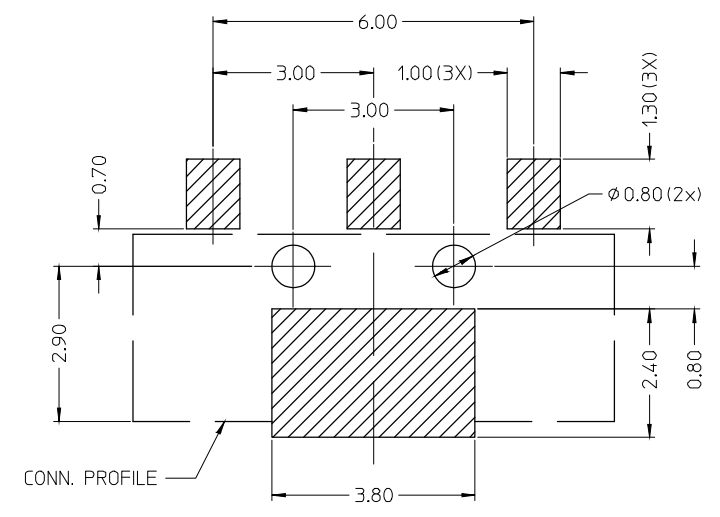
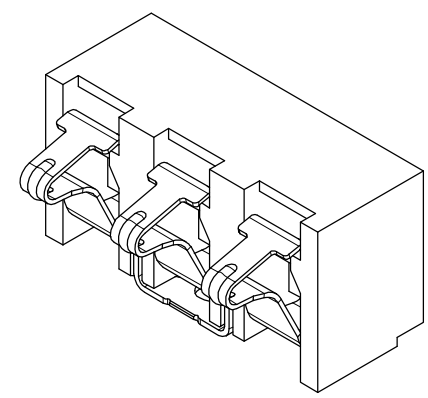
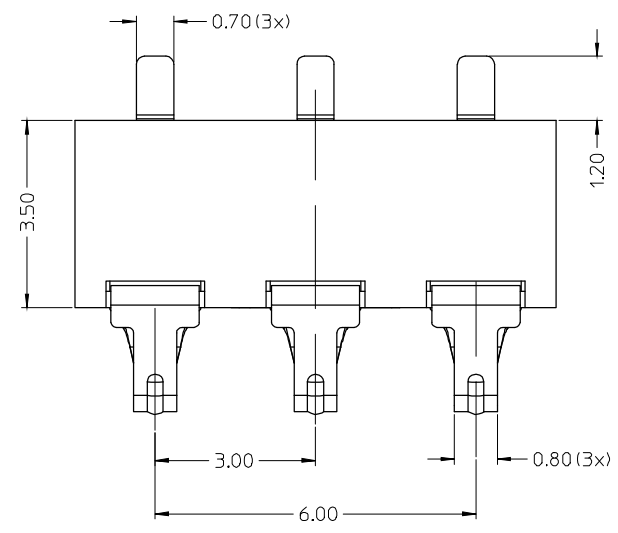
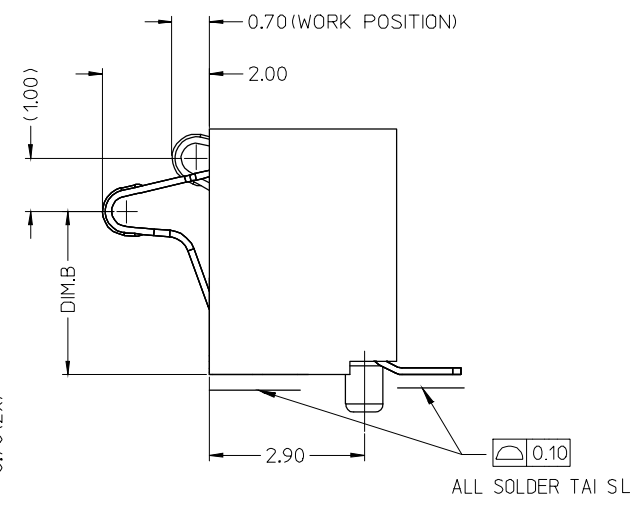
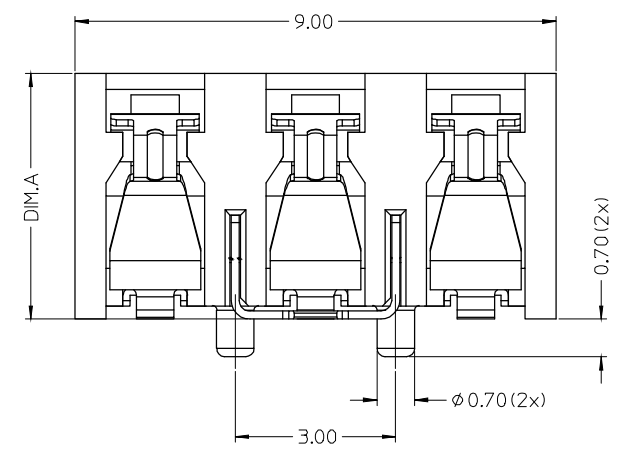


REV.	ECN.NO.	MODIFY.CONTENT	DATE
A		NEW	2012/02/29



RECOMMENDED PCB LAYOUT TOP VIEW (TOLERANCE ±0.05)



- NOTES:
- 1.MATERIAL:
 - 1).HOUSING MATERIAL:THERMOPLASTIC UL94V-0;COLOR:BLACK
 - 2).CONTACT MATERIAL:COPPER ALLOY,T=0.15mm
 - 3).SHELLMATERIAL:STAINLESS STEEL,T=0.20mm
 - 2.ELECTRICAL SPECIFICATIONS:
 - 1).OPERATING VOLTAGE: 250V(AC/DC).
 - 2).CURRENT RATING: 0.5A.
 - 3).OPERATING TEMPERATURE: -20°C~+65°C.
 - 4).INSULATION RESISTANCE: 1000M OHMS min. at 250VDC.
 - 5).DIELECTRIC WITHSTANDING VOLTAGE:500VAC/1minute.
 - 6).CONTACT RESISTANCE:100m OHMS max.

JYS-BY600-005	6.00	4.45
JYS-BY540-003	5.40	3.85
PART NUMBER	DIM A	DIM B

GENERAL TOLERANCE		DWG NO.	JYSA1018-01	APPD:	WIND	Scale	1:1
X.±0.45	x.'±5'	Title	BATTERY 3PIN 3.0PITCH 5.4H-6.0H WITH POST	CHKD:		UNIT	mm
.X±0.35	.x'±2'			DR:			
.XX±0.25	.xx'±1'	Part NO.	SEE TABLE	Date	2012/02/29		
.XXX±0.15	.xxx'±0.5'						
SHEET 1/1				Shenzhen JYSCONN Electronics Co., LTD.			