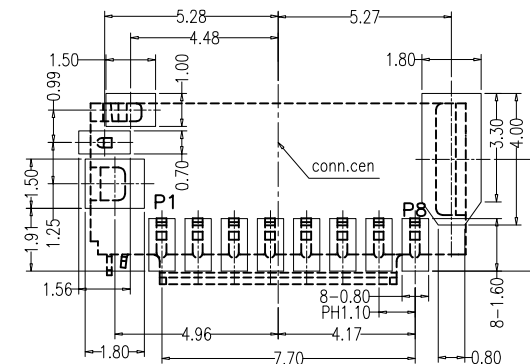
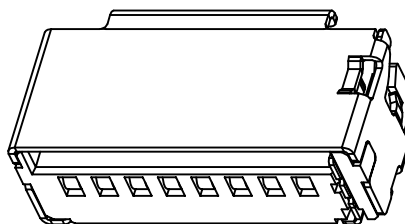
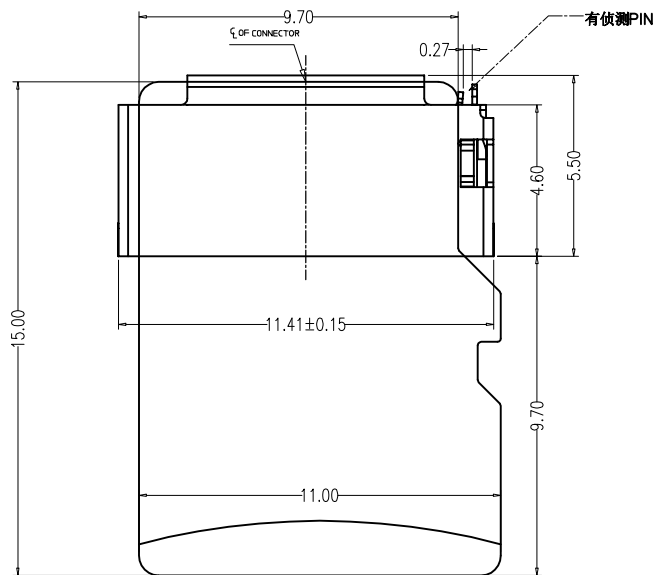


REV.	ECN.NO.	MODIFY.CONTENT	DATE
A		NEW	2011/10/31



RECOMMENDED PCB LAYOUT
TOLERANCES ±0.05

-NOTES-

1.Electrical:

Contact resistance:50m ohms max.
Dielectric withstanding voltage:500V RMS.
Insulation resistance:1000M ohms min.

2.Mechanical:

MATE AND UNMATE FORCE:
MATE FORCE:4.5kg MAX
UNMATE FORCE:0.5kg MIN
Durability:1500cycles MIN.

3.Environment:

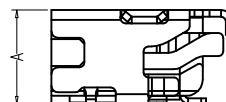
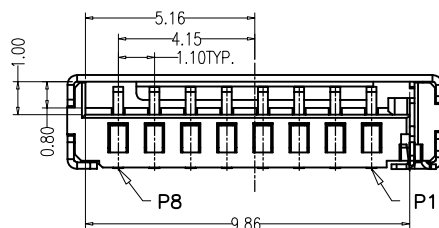
Operating Temperature:-25'to+85°.

4.FINISH:

TERMINAL: GOLD Plated Over NICKEL
Contact area,TIN ON
SOLDER TAIL AREA& TIN
Plated ALL Over NICKEL.

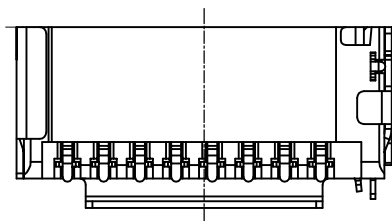
Shell: SPCC WITH NICKEL&GOLD Plated.

5.COLOR:
HOUSING:BLACK.



序号	DIM A	料号
1	3.00H	JYS-TF300-001
2	3.35H	JYS-TF335-002
3	3.75H	JYS-TF375-003
4	5.20H	JYS-TF520-004

Pin No.	NAME
1	DAT2
2	CD/DAT3
3	CMD
4	VDD
5	CLK
6	VSS
7	DAT0
8	DAT1



GENERAL TOLERANCE		DWG NO.	JYSA0810-02	APPD:	WIND	Scale	1:1
X.±0.45	x.'±5'	Title	短型 T CARD 无孔	CHKD:		UNIT	mm
.X±0.35	.x'±2'			DR:			
.XX±0.25	.xx'±1'	Part NO.	SEE TABLE	Date	2012/08/10		
.XXX±0.15	.xxx'±0.5'						
SHEET	1/1			Shenzhen JYSCONN Electronics Co., LTD.			