

REV.	ECN. NO.	MODIFY. CONTENT	DATE
A		NEW	2018/03/29

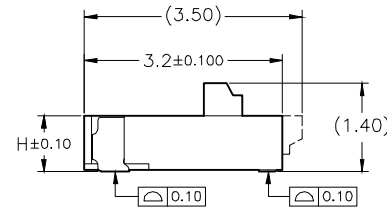
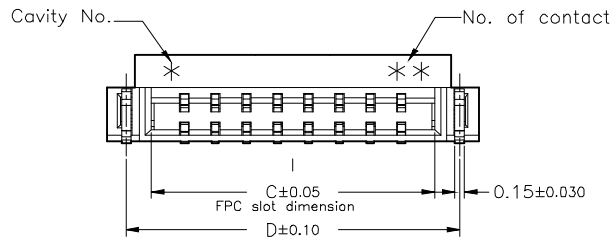
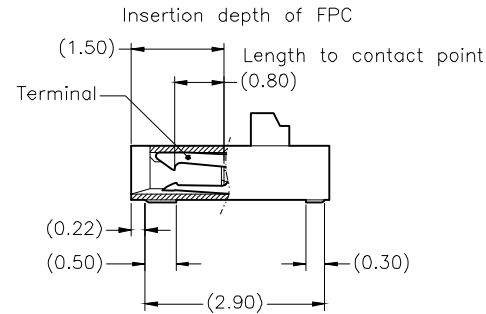
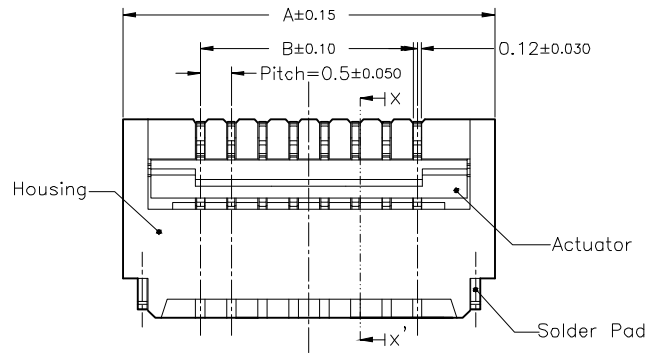
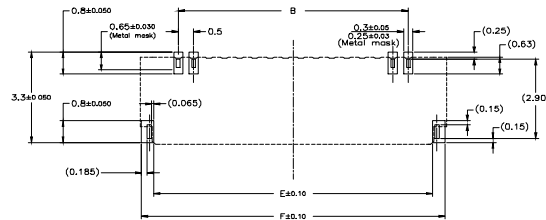
NOTE:

1.MATERIAL:

HOUSING:LCP(UL94V-0)
 ACTUATOR:LCP(UL94V-0)
 TERMINAL:PHOSPHOR BRONZE
 LEG:PHOSPHOR BRONZE

2.RATING:

OPERATING VOLTAGE:50Vrms AC
 CURRENT RATING:0.5A
 OPERATING TEMPERATURE:-55°C ~ +85°C
 OPERATING HUMIDITY RANGE:RELATIVE HUMIDITY 90% MAX
 (NO CONDENSATION)
 STORAGE TEMPERATURE RANGE:-10°C ~ +50°C
 STORAGE HUMIDITY RANGE:RELATIVE HUMIDITY 90% MAX
 (NO CONDENSATION)



No. of Contacts	DIM. A	DIM. B	DIM. C	DIM. D	DIM. H
04	4.0	1.5	2.57	3.38	0.9
05	4.5	2.0	3.07	3.88	0.9
06	5.0	2.5	3.57	4.38	0.9
07	5.5	3.0	4.07	4.88	0.9
08	6.0	3.5	4.57	5.38	0.9
09	6.5	4.0	5.07	5.88	0.9
10	7.0	4.5	5.57	6.38	0.9
11	7.5	5.0	6.07	6.88	0.9
12	8.0	5.5	6.57	7.38	0.9
13	8.5	6.0	7.07	7.88	0.9
14	9.0	6.5	7.57	8.38	0.9
15	9.5	7.0	8.07	8.88	0.9
16	10.0	7.5	8.57	9.38	0.9
17	10.5	8.0	9.07	9.88	0.9
18	11.0	8.5	9.57	10.38	0.9
19	11.5	9.0	10.07	10.88	0.9
20	12.0	9.5	10.57	11.38	0.9
21	12.5	10.0	11.07	11.88	0.9
22	13.0	10.5	11.57	12.38	0.9
23	13.5	11.0	12.07	12.88	0.9
24	14.0	11.5	12.57	13.38	0.9
25	14.5	12.0	13.07	13.88	0.9
26	15.0	12.5	13.57	14.38	0.95
27	15.5	13.0	14.07	14.88	0.95
28	16.0	13.5	14.57	15.38	0.95
29	16.5	14.0	15.07	15.88	0.95
30	17.0	14.5	15.57	16.38	0.95
31	17.5	15.0	16.07	16.88	0.95
32	18.0	15.5	16.57	17.38	0.95
33	18.5	16.0	17.07	17.88	0.95
34	19.0	16.5	17.57	18.38	0.95
35	19.5	17.0	18.07	18.88	0.95
36	20.0	17.5	18.57	19.38	0.95
37	20.5	18.0	19.07	19.88	0.95
38	21.0	18.5	19.57	20.38	0.95
39	21.5	19.0	20.07	20.88	0.95
40	22.0	19.5	20.57	21.38	0.95
41	22.5	20.0	21.07	21.88	0.95
42	23.0	20.5	21.57	22.38	0.95
43	23.5	21.0	22.07	22.88	0.95
44	24.0	21.5	22.57	23.38	0.95
45	24.5	22.0	23.07	23.88	0.95
46	25.0	22.5	23.57	24.38	0.95
47	25.5	23.0	24.07	24.88	0.95
48	26.0	23.5	24.57	25.38	0.95
49	26.5	24.0	25.07	25.88	0.95
50	27.0	24.5	25.57	26.38	0.95

GENERAL TOLERANCE		DWG NO.	JYSA0405-04	APPD:	WIND	Scale	1:1
X. ±0.45	x. °±5°	Title	0.5 Pitch H=1.0mm FPC Conn	CHKD:		UNIT	mm
.XX±0.35	.x. °±2°			DR:			
.XX±0.25	.xx °±1°	Part NO.	JYS-FPC050-100-XXX	Date	2018/03/29		
.XXX±0.15	.xxx °±0.5°					JYSCONN Electronics Co., LTD.	
SHEET	1/1						