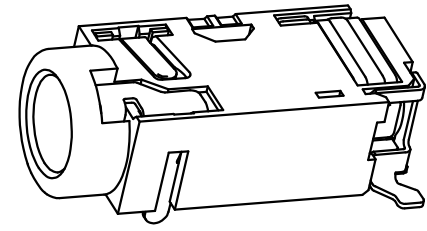
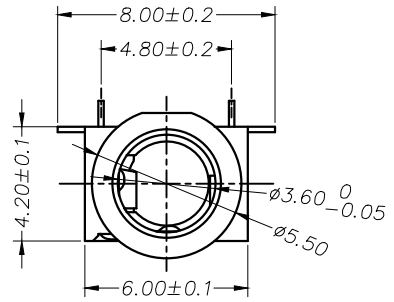
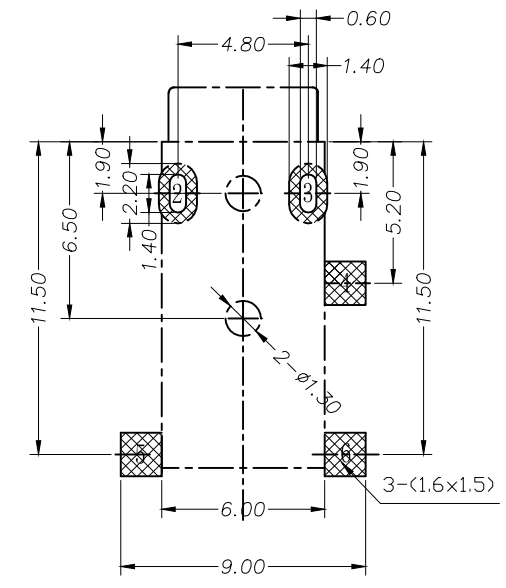


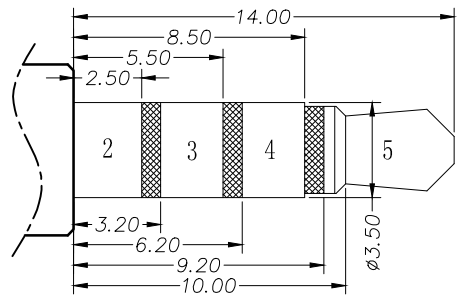
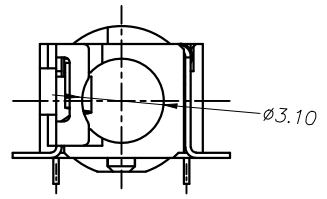
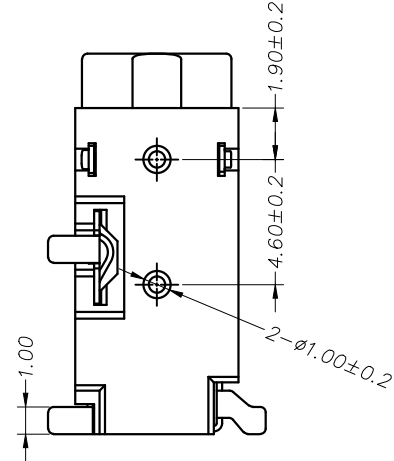
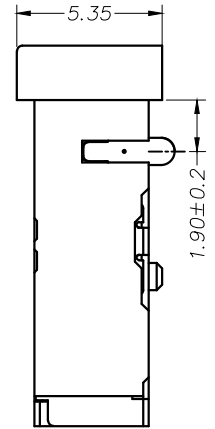
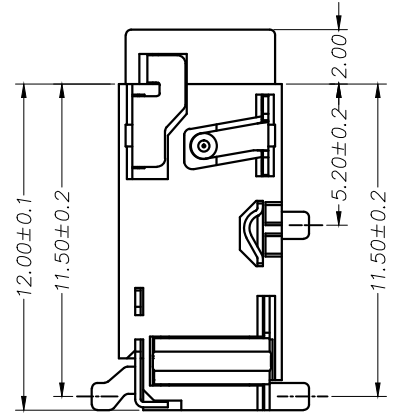
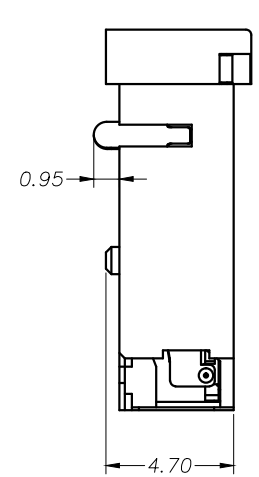
REV.	ECN.NO.	MODIFY.CONTENT	DATE
A		NEW	2019/10/21



3D VIEW



RECOMMEND PCB LAYOUT
TOLERANCE :±0.05



MALE PLUG SCHEMATIC

NOTES:

- CONTACT CURRENT RATING: 0.5A.
- CONTACT RESISTANCE: 50 mΩ MAX.;
- INSULATION RESISTANCE: 1000Ω MIN.;
- DIELECTRIC WITHSTANDING: 500V AC MIN.;
- DURABILITY: 5,000 CYCLES MIN.;
- CONNECTOR MATING FORCES: 20N MAX.;
- CONNECTOR UNMATING FORCES: 3N MIN.;

ITEM	PART NAME	Q'TY	MATERIAL	REMARK
⑥	CONTACT 5#	1	PHORPHOS BRONZE; THE BOTTOM OF THE NICKEL ; THE WHOLE SILVER PLATING.	T=0.2
⑤	CONTACT 4#	1		T=0.2
④	CONTACT 3#	1		T=0.2
③	CONTACT 2#	1		T=0.2
②	CONTACT 1#	1		T=0.2
①	HOUSING	1	PPA COLOR BLACK	

GENERAL TOLERANCE		DWG NO.	JYSA0528-001	APPD:	WIND	Scale	1:1
X.±0.45	x.'±5'	Title	ø3.5 5PIN 圆口 4.2H SMT+DIP PHONE JACK	CHKD:		UNIT	mm
.X±0.35	.x'±2'			DR:			
.XX±0.25	.xx'±1'	Part NO.	JYS-JK420-061	Date	2019/10/21		
.XXX±0.15	.xxx'±0.5'						
SHEET	1/1						



Shenzhen
JYSCONN Electronics Co., LTD.