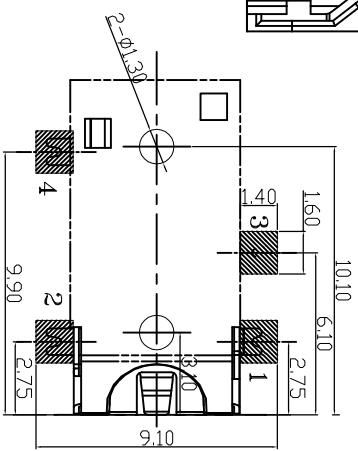
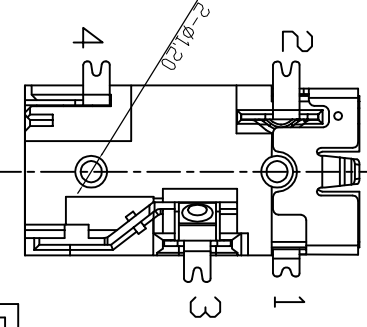
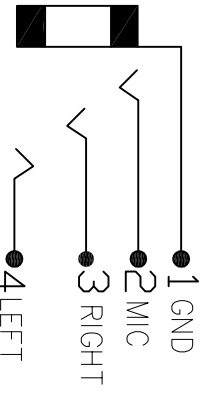
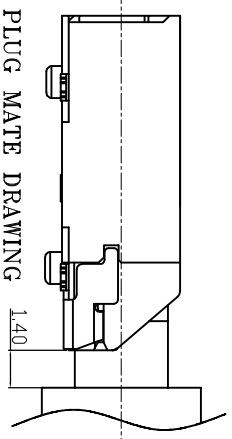
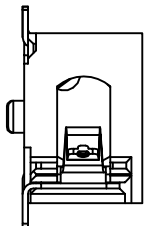
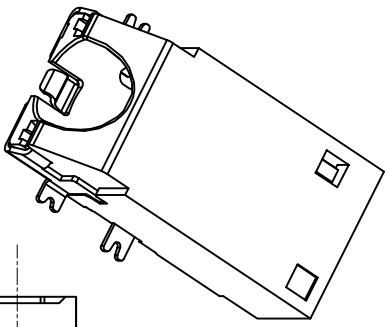
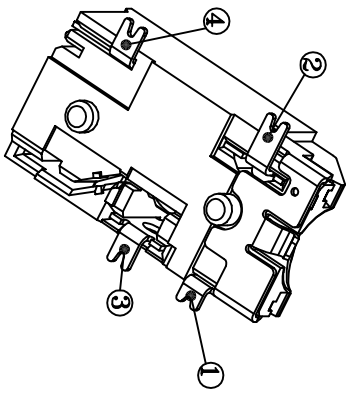
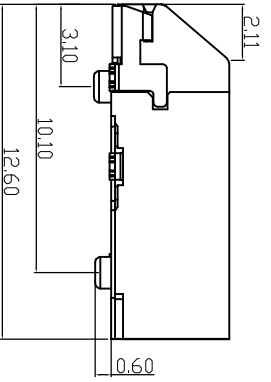
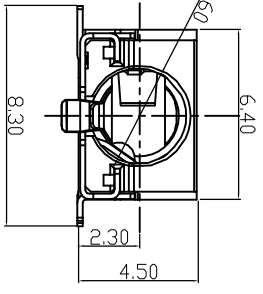
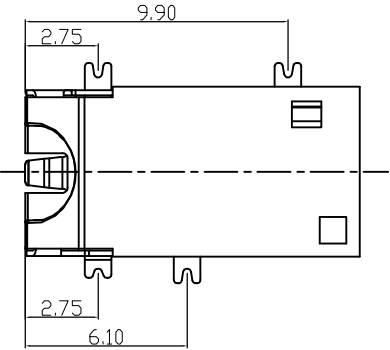
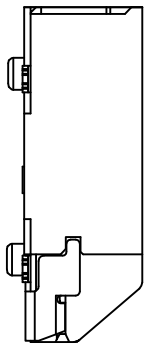
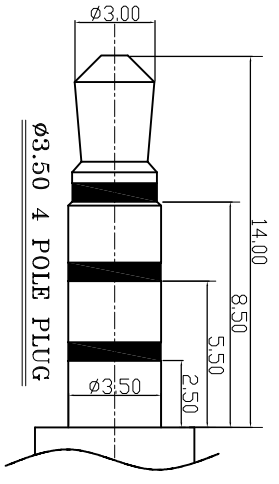


REV.	EGN.NO.	MODIFY/CONTENT	DATE
A		NEW	2016/10/31



RECOMMEND PCB LAYOUT
TOLERANCE ±0.05



- NOTES:
- MATERIAL:
 - HOUSING: U194V-0, COLOR: BLACK
 - CONTACT: SUS ALLOY
 - PLATING:
 - CONTACTS PLATING: SEE ORDERING INFORMATION
 - RATING:
 - OPERATING VOLTAGE: 30VAC/DC.
 - CURRENT RATING: 0.5A AC/DC.
 - OPERATING TEMPERATURE: -25°C~+85°C

GENERAL TOLERANCE	DWG NO.	JYSA0528-008	APPD:	WIND	Scale	1:1
X±0.45	X±1.5	ø3.5 4.5H 斜口耳机座 4PIN 全贴 双柱	CHKD:		UNIT	MM
X±0.35	X±2		DR:			
XX±0.25	.XX±1	Part NO.	JYS-JK450-037	Date	2016/10/31	
.XXX±0.15	.xxx±0.5					
SHEET	1/1					

JYS 杰宇森电子有限公司
JIE YU SEN ELECTRONIC CO., LTD.