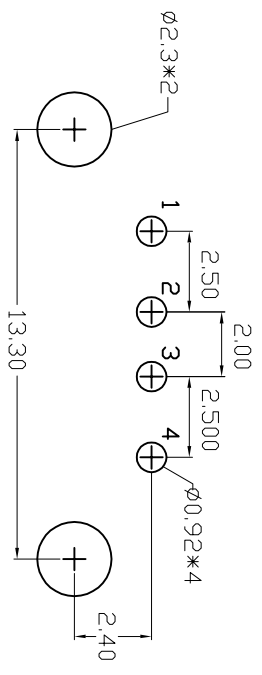
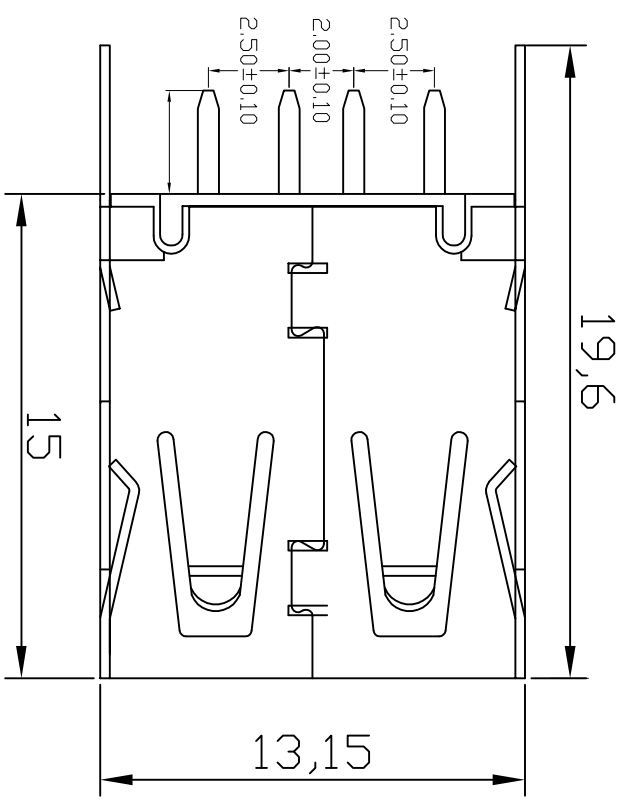
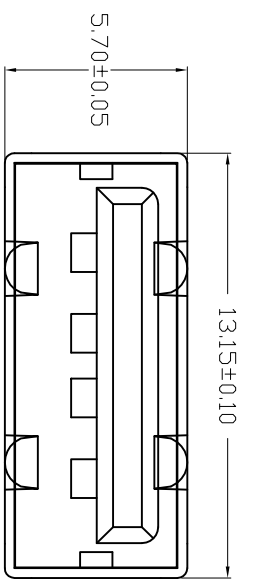
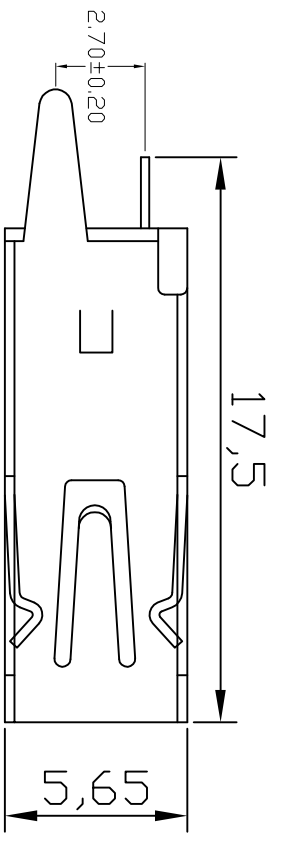


| REV. | ECN NO. | MODIFY CONTENT | DATE |
|------|---------|----------------|------------|
| A | | NEW | 2011/10/31 |



材料 Material:

1. 塑胶 Housing: High Temperature Thermoplastics, Ul 94V-0
 2. 端子 Contact: Copper Alloy 铜合金
 3. 外壳 Shell: Copper Alloy 铜/铁合金
- 电镀 Finish:
1. 端子 Contact: Plated Gold in Mating Area; Tin On Solder Tails
接触点镀金 引脚镀锡
 2. 外壳 Shell: Nickel Plating 镀镍

| GENERAL TOLERANCE | | DWG NO. | JYSA1014-03 | APPD: | WIND | Scale | 1:1 |
|-------------------|------------|----------|------------------------|-------|------------|-------|-----|
| X.±0.45 | X.±1.5' | Title | USB AF 2.0直插L=15.0直边直脚 | CHKD: | | UNIT | mm |
| X±0.35 | X'±2' | Part NO. | JYS-USB150-037 | DR: | | | |
| .XX±0.25 | .XX'±1' | | | Date | 2011/10/31 | | |
| .XXX±0.15 | .xxx'±0.5' | | | | | | |
| SHEET | 1/1 | | | | | | |

JYSCOM

深圳市杰宇森电子有限公司
Shenzhen JieYuSen electronic co., LTD.