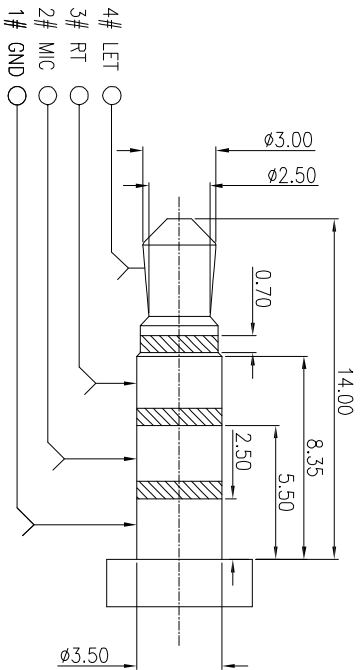
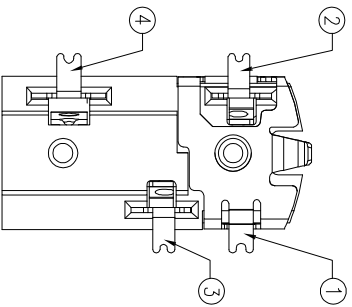
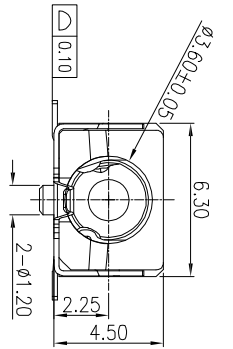
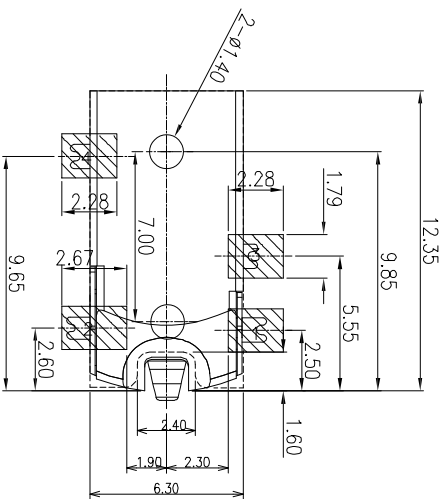


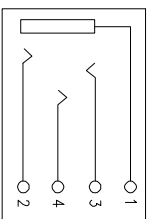
3D VIEW



(Ø3.50mm 4 POLE PLUG DETAIL DRAWING)



P.C.B. LAYOUT
TOP VIEW



SCHEMATIC

- NOTES:
1. CONTACT CURRENT RATING: 1A.
 2. CONTACT RESISTANCE: 50 mΩ MAX.;
 3. INSULATION RESISTANCE: 1000Ω MIN.;
 4. DIELECTRIC WITHSTANDING: 500V AC MIN.;
 5. DURABILITY: 5,000 CYCLES MIN.;
 6. CONNECTOR MATING FORCES: 30N MAX.;
 7. CONNECTOR UNMATING FORCES: 3N MIN.;

ITEM	PART NAME	QTY	MATERIAL	REMARK
⑤	HOUSING	1	PPA COLOR BLACK	
④	CONTACT 4#	1		T=0.2
③	CONTACT 3#	1		T=0.2
②	CONTACT 2#	1		T=0.2
①	CONTACT 1#	1		T=0.2
			PHORPHOS BRONZE, NICKEL (40u"MIN.) UNDER PLATING OVERALL, GOLD FLASH ON OVERALL	
			PHORPHOS BRONZE, NICKEL (40u"MIN.) UNDER PLATING OVERALL, GOLD FLASH ON OVERALL	

GENERAL TOLERANCE	IMP. NO.	REV. NO.	DATE	SCALE
X±0.45	X:±5'			1:1
X±0.35	X:±2'			mm
.XX±0.25	.XX'±1'	Rev. No.		
.XXX±0.15	.xxx'±0.5'			
SHEET 1/1				

JYS	JYS	JYS	JYS
杰宇森电子有限公司	JIE YU SEN ELECTRONIC CO., LTD.	JIE YU SEN ELECTRONIC CO., LTD.	JIE YU SEN ELECTRONIC CO., LTD.
435 43H 新田町 4PM 瑞祥	JYS-4350-034	JYS-4350-034	JYS-4350-034
DATE	2013/09/29	DATE	2013/09/29

REV.	EGN.NO.	MODIF. CONTENT	DATE
A		NEW	2011/10/31