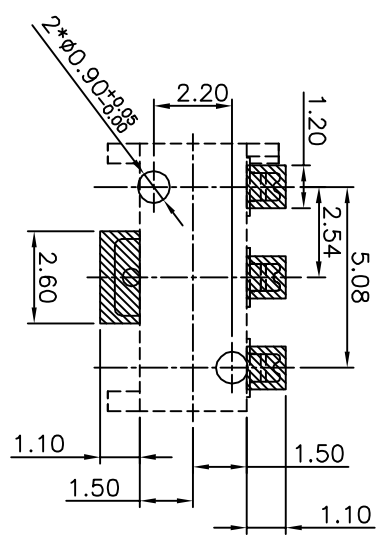


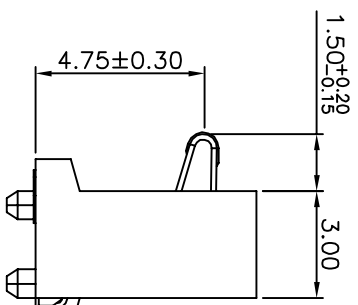
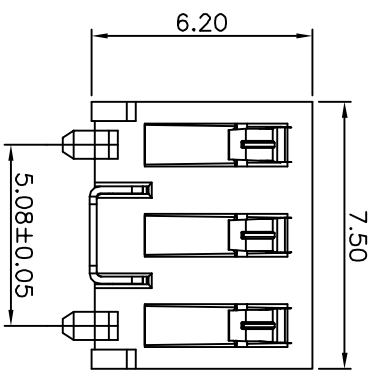
(Contact stroke : 1.0mm)



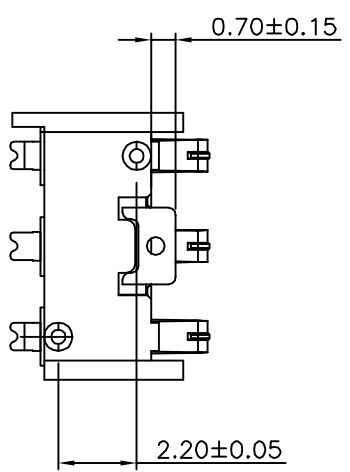
RECOMMENDED PADS LAYOUT

TOP VIEW

TOLERANCE : ±0.05




0.10X



- NOTES:
- 1.HOUSING MATERIAL:LCP BLACK UL 94V-0
  - 2.CONTACT MATERIAL:COPPER ALLOY.  
FINISH:NICKEL UNDERPLATED, GOLD PLATING ON CONTACT AREA, TIN PLATING ON SOLDER AREA
  - 3.NAIL MATERIAL:COPPER ALLOY.  
FINISH:NICKEL UNDERPLATED, PLATED TIN OVER ALL.

GENERAL TOLERANCE		DWG NO.	JYSA0519-001	APPD:	WIND	Scale	1:1
X.±0.45	X.±5°	Title	BATTERY 3PIN 2.54.0PITCH	CHKD:		UNIT	mm
X±0.35	X°±2°	Part NO.	JYS-BY620-020	DR:			
.XX±0.25	.XX°±1°	Date	2012/02/29				
.XXX±0.15	.xxx±0.5°						
SHEET	1/1						


 杰宇森电子有限公司  
 JIE YU SEN ELECTRONIC CO., LTD.

REV.	ECN NO.	MODIFY CONTENT	DATE
A		NEW	2011/10/31