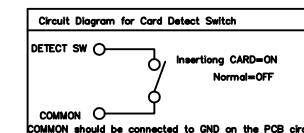


REV.	ECN.NO.	MODIFY.CONTENT	DATE
A		NEW	2013/09/29

PIN NO.	discription
Pin 1	DAT2:Data line
Pin 2	CD/DAT3:card Detect/Data line
Pin 3	CMD: command/Response
Pin 4	VDD: Supply voltage
Pin 5	CLK: Clock
Pin 6	VSS:Supply voltage ground
Pin 7	DAT0:Data line
Pin 8	DAT1:Data line
Pin 9	DETECT SW(GND)
Pin 10	DETECT SW(CD)
GND	Cover GND

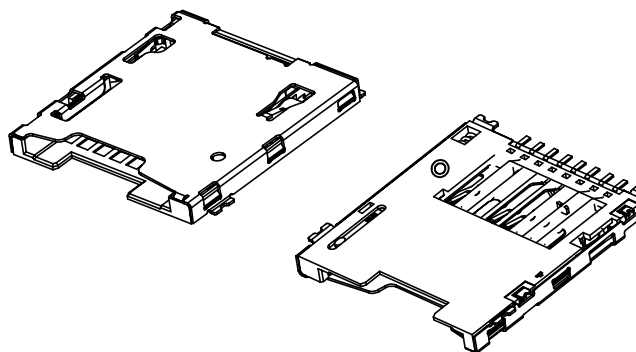


RECOMMENDER PCB LAYOUT
TOLERANCE UNLESS OTHERWISE IS ±0.05

PROHIBITION AREA

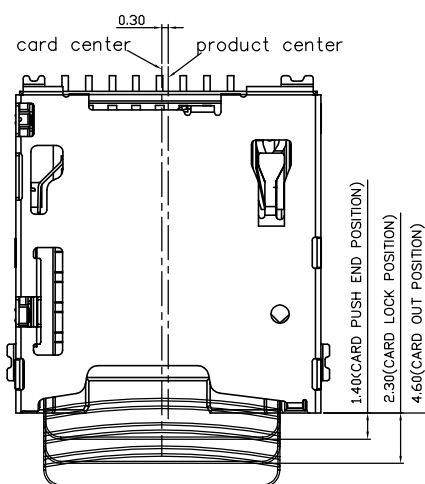
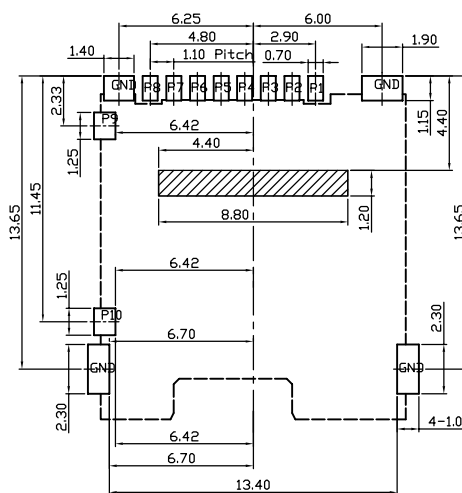
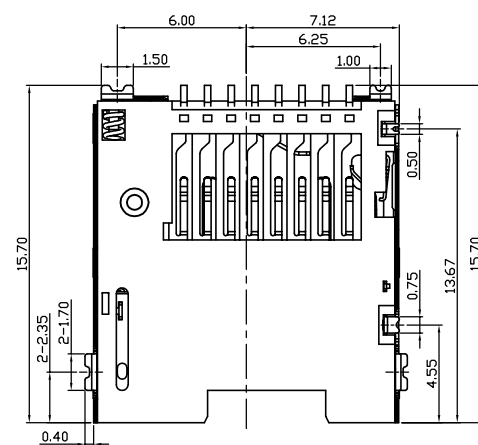
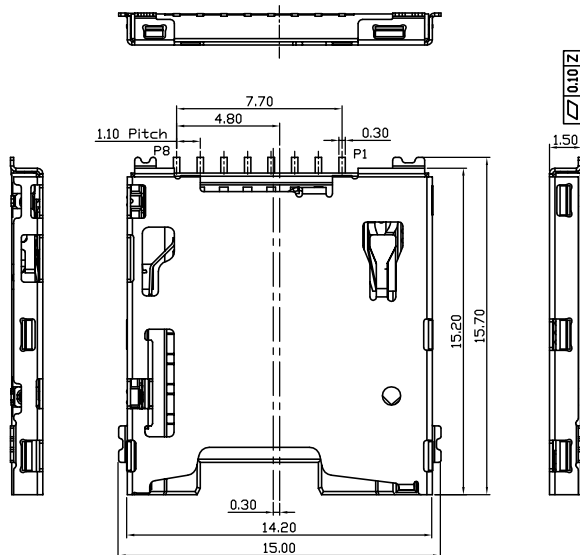
NOTES :

- MATERIAL :
 - HOUSING:LCP UL94 V-0, BLACK COLOR.
 - SHELL: STAINLESS STEEL
 - CONTACT: PHOSPHOR BRONZE
- FINISH :
 - CONTACT: GOLD PLATING ON CONTACT AREA, MATTE TIN 100u"MIN ON SOLDERTAIL AREA. 50u" MIN NICKEL PLATING OVERALL.
 - SHELL: 30u" MIN NICKEL PLATING OVERALL. Au 1u"MIN ON SOLDERTAIL AREA.
- ELECTRICAL CHARACTERISTICS:
 - OPERATING VOLTAGE : 100V AC(rms)/DC.
 - CURRENT RATING : 0.5 A.
 - OPERATING TEMPERATURE: -25°C~+85°C.
 - CONTACT RESISTANCE: 100 m OHMS MAX.
 - INSULATION RESISTANCE: 1000M OHMS MIN. AT 250VDC.
 - DIELECTRIC WITHSTANDING VOLTAGE:500 VAC/1MINUTE.



PART. NO. :
MR17-AP401-**-**

- 42: 功能区镀金1u", 锡脚镀雾纯锡至少100u"
43: 功能区镀金3u", 锡脚镀雾纯锡至少100u"
44: 功能区镀金5u", 锡脚镀雾纯锡至少100u"
45: 功能区镀金10u", 锡脚镀雾纯锡至少100u"
46: 功能区镀金15u", 锡脚镀雾纯锡至少100u"
47: 功能区镀金30u", 锡脚镀雾纯锡至少100u"



GENERAL TOLERANCE		DWG NO.	JYSA0620-001	APPD:	WIND	Scale	1:1
X.±0.45	x.±5'	Title	Micro SD PUSH 1.5H-CONN	CHKD:		UNIT	mm
.X±0.35	.x'±2'			DR:			
.XX±0.25	.xx'±1'	Part NO.	JYS-TF150-038	Date	2013/09/29		
.XXX±0.15	.xxx'±0.5'						
SHEET	1/3	杰宇森电子有限公司 JIE YU SEN ELECTRONIC CO., LTD.					

REV.	ECN.NO.	MODIFY.CONTENT	DATE
A		NEW	2013/09/29

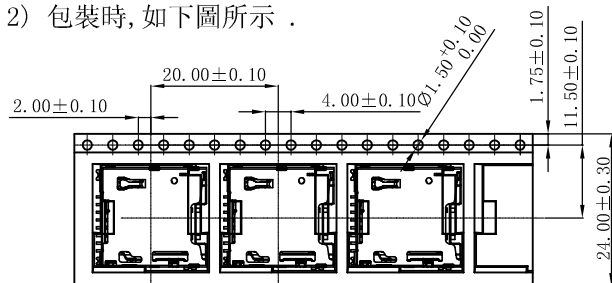
包裝作業規範

品名	Micro SD Push (H=1.50)
料號	JYS-TF150-038

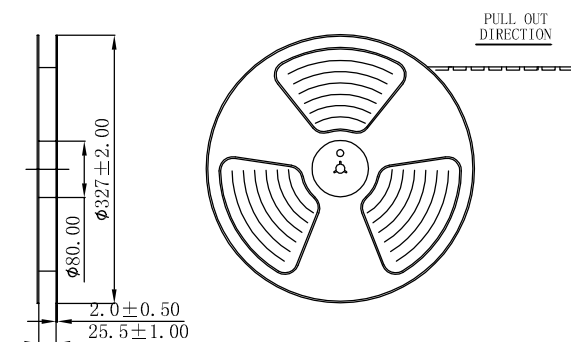
REEL盤料號	W06-0008
紙箱料號	W01-0006

包裝作業圖示及說明 (PACKING OPERATION DIAGRAM & INSTRUCTION)

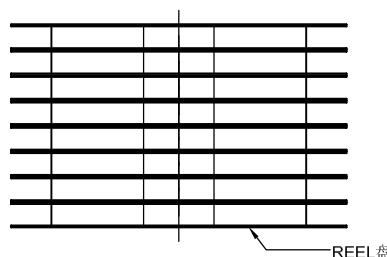
- 一.
- 將成品一一放入REEL包裝盤內,依同一方向放入.
 - 包裝時,如下圖所示.



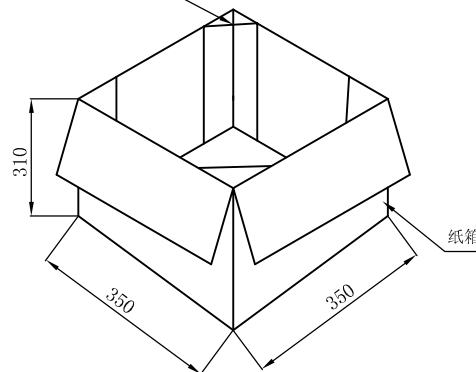
- 二.
- 裝盤前先把前面空25pcs產品,然后再開始裝盤,尾端也需空出15pcs產品.
 - 裝滿成品的REEL包裝盤如下圖所示.
 - 一個REEL包裝盤放置 1200 個成品.



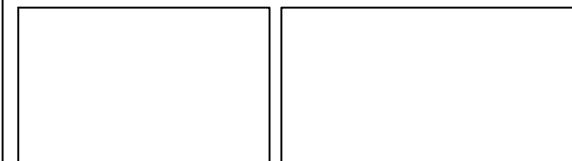
- 三.
- 每箱裝 10 盤REEL包裝盤.
 - 每箱放置 12000 PCS 的成品.



护角板



- 四.
- 用TAPE將紙箱封實.



備註 (REMARK)

- 若有未裝滿之零數箱,必須以緩衝材塞滿.

GENERAL TOLERANCE		DWG NO.	JYSA0620-001	APPD:	WIND	Scale	1:1
X.±0.45	x.'±5'	Title	Micro SD PUSH 1.5H-CONN 包裝圖紙	CHKD:		UNIT	mm
.X±0.35	.x'±2'			DR:			
.XX±0.25	.xx'±1'	Part NO.	JYS-TF150-038	Date	2013/09/29		
.XXX±0.15	.xxx'±0.5'	杰宇森电子有限公司 JIE YU SEN ELECTRONIC CO., LTD.					
SHEET	1/3						