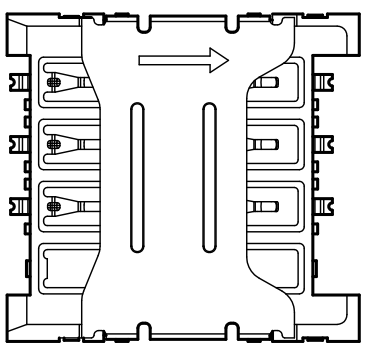
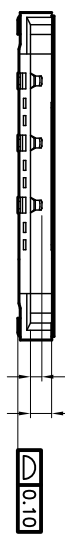
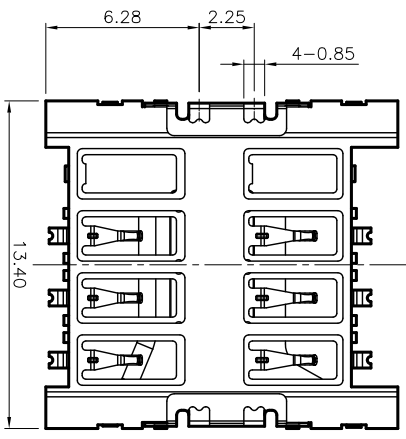
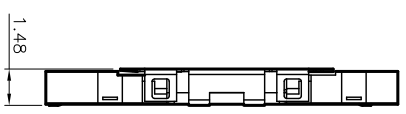
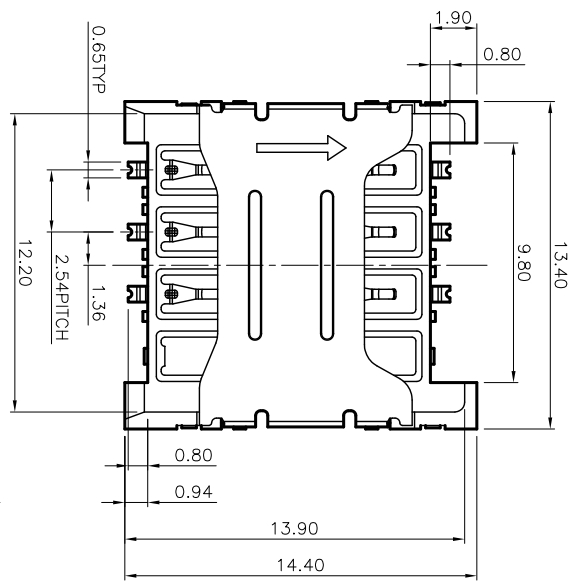
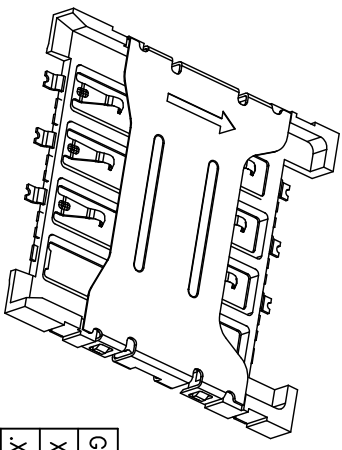


REV.	EGN.NO.	MODIFY/CONTENT	DATE
A		NEW	2011/10/31



RECOMMENDED P.C.B. LAYOUT TOLERANCE:±0.05 TOP VIEW

- PCB AREA
- CONNECT AREA
- KEEP OUT AREA



**MATERIALS**

1. HOUSING : THERMOPLASTIC (UL 94V-0) .
2. TERMINAL : COPPER ALLOY,  
PLATING : GOLD PLATED ON CONTACT AREA  
AND SOLDER TAILS,NICKEL PLATED OVERALL.
3. SHELL : STAINLESS STEEL.  
PLATING : NICKEL PLATED OVERALL.  
GOLD PLATED ON SOLDER TAILS

**SPECIFICATION**

1. CURRENT RATING : 1.0 A MAX.
2. DIELECTRIC WITHSTANDING VOLTAGE : 500V AC R.M.S. FOR ONE MINUTE.
3. INSULATION RESISTANCE : 1000M次MIN. AT 500V DC.
4. CONTACT RESISTANCE : 30m次MAX.
5. OPERATING TEMPERATURE : -40°C TO +85°C.

DESCRIPTION OF PLATING ON TERMINALS		NO.	EXPLAIN
0	GOLD FLASH	3	GOLD 15u"
1	GOLD 5u"	4	GOLD 20u"
2	GOLD 10u"	6	GOLD 30u"

GENERAL TOLERANCE	DWG NO.	APPD:	WIND	Scale	1:1
X.±0.45	X.±5'			UNIT	mm
X.±0.35	X.±2'	Title		CHKD:	
X.±0.25	.XX'±1'	Part NO.		DR:	
.XXX±0.15	.xxx'±0.5'	JYS-SIM150-051		Date	2012/02/29
SHEET 1/1					

杰宇森电子有限公司  
JIE YU SEN ELECTRONIC CO., LTD.