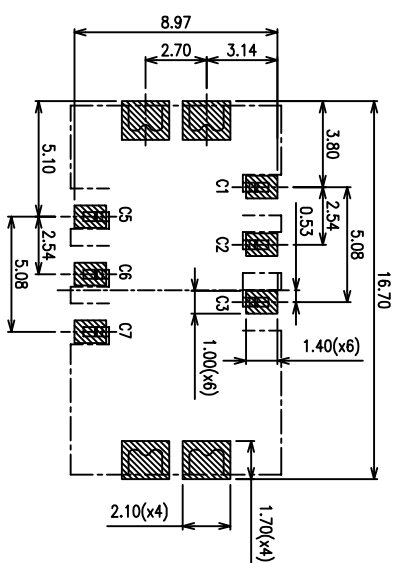
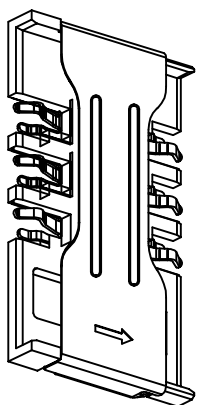
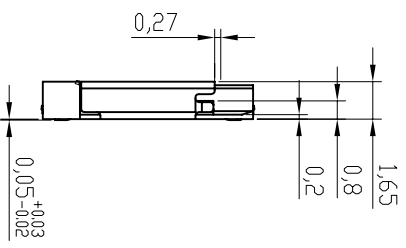
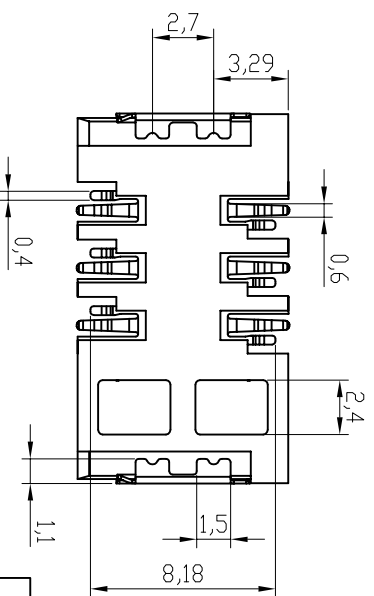
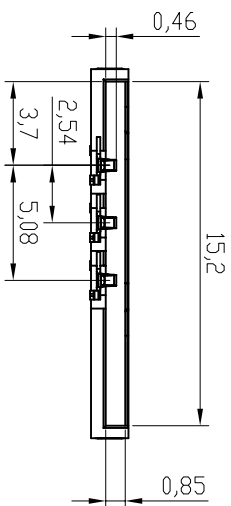
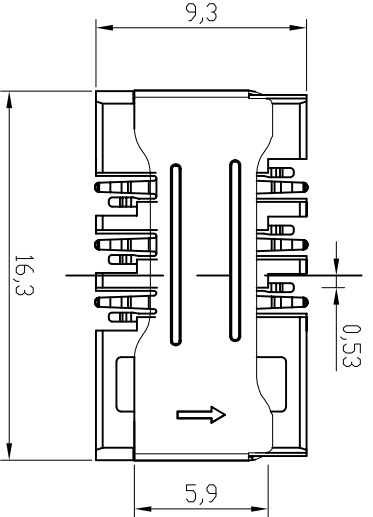


REV.	EQN. NO.	MODIFY CONTENT	DATE
A		NEW	2011/10/31



RECOMMENDED PCB LAYOUT
 GENERAL TOLERANCE=±0.05

- NOTES:
- MATERIAL:
- 1) HOUSING MATERIAL: THERMOPLASTIC UL94V-0; COLOR: BLACK
 - 2) CONTACT MATERIAL: COPPER ALLOY; T=0.15mm
 - 3) SHELL MATERIAL: STAINLESS STEEL; T=0.20mm
- ELECTRICAL SPECIFICATIONS:
- 1) OPERATING VOLTAGE: 250V(AC/DC).
 - 2) CURRENT RATING: 0.5A.
 - 3) OPERATING TEMPERATURE: -20°C~+65°C.
 - 4) INSULATION RESISTANCE: 1000M OHMS min. at 250VDC.
 - 5) DIELECTRIC WITHSTANDING VOLTAGE: 500VAC/1minute.
 - 6) CONTACT RESISTANCE: 100m OHMS max.

SIM Card terminal NO	Pin NO	GENERAL TOLERANCE	DWG NO.	JYSA1017-001	APPD:	WIND	Scale
Pin 1	vcc:pwr signal and GND	X.±0.45	X.±5°				1:1
Pin 2	RST: Reset signal	X.±0.35	X.±2°	1.6H SIM CARD 6P 短体连接式	CHKD:		mm
Pin 3	CLK:Clcking signal	X.±0.25	.xx'±1°		DR:		
Pin 4	reserved	.XXX±0.15	.xxx'±0.5°		Date	2011/10/31	
Pin 5	GND:PWR signal and GND			JYS-SIM160-070			
Pin 6	vpp:programming voltage						
Pin 7	I/O:serial data input/output						
Pin 8	reserved						

JYS 杰宇森 电子有限公司
 JIE YU SEN ELECTRONIC CO., LTD.