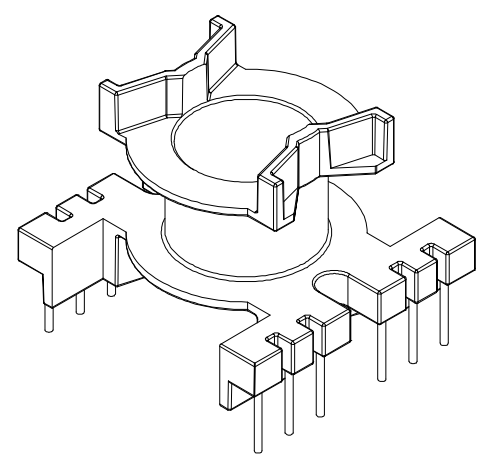
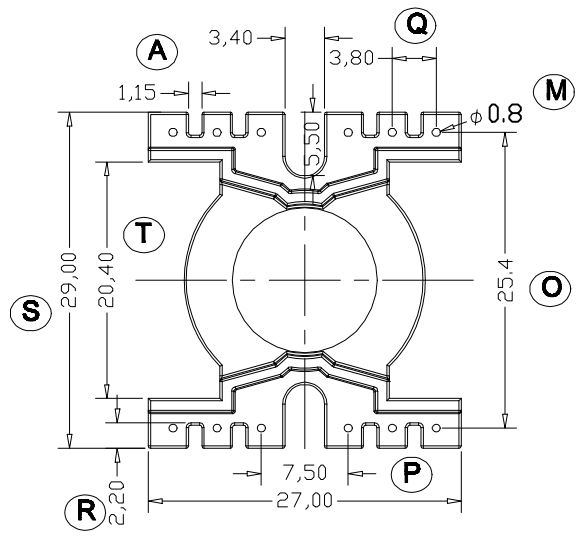
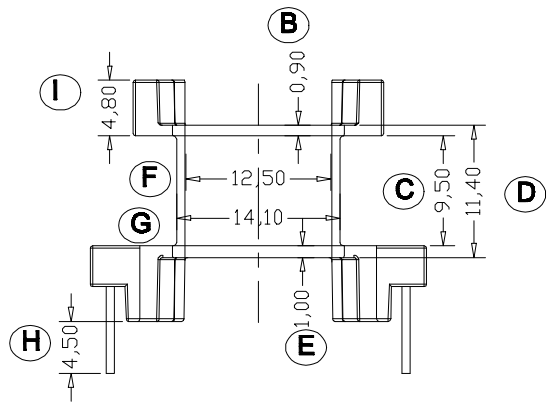
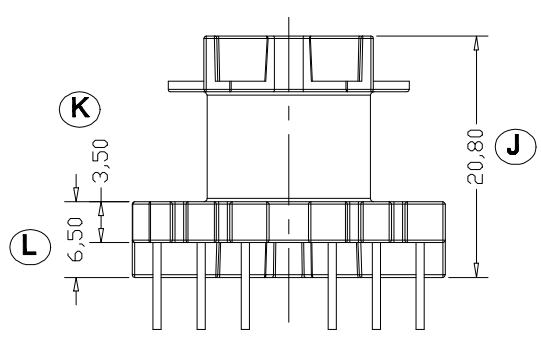
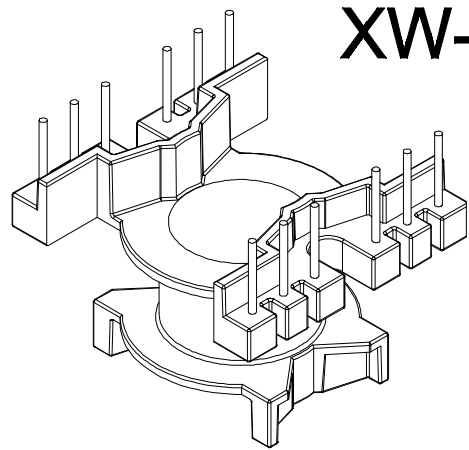
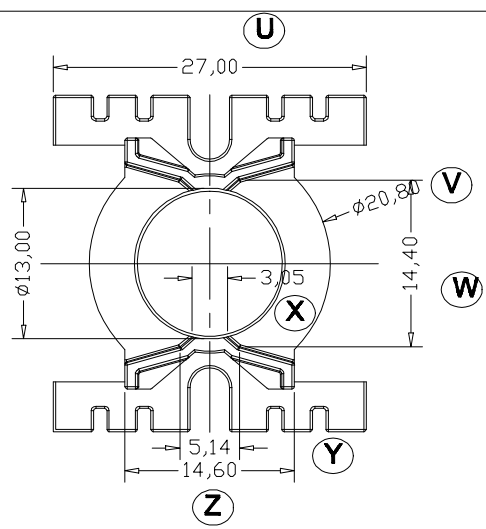


XW-2601



REV	REVISION RECORD	DATE	REV	REVISION RECORD	DATE
A			C		
B			D		

NAME	PQ2620 (6+6)	MATERIAL	PHENOLIC	SCALE	1:1	ANGLE	±1°
DRAWING NO.	XW-2601	PIN MATERIAL	CP WIRE	UNIT	m/m	REV	A/0
TOLERANCE OF PIN PITCH ±0.20				东莞市学文电子有限公司 http://www.ahgaozhanyxgs.com/			
PIN TENSION LOAD 0.8kg MIN		UL REC:94V-0					
TOLERANCE: 0<L≤4: ±0.1 4<L≤16: ±0.2 16<L≤63: ±0.3							