

Instructions and precautions for use point

※ Please refer to a homepage for the details.

- This product is for research and is not meant for either treatment or diagnosis.
- This product is not medical equipment.
- This product has been used to hydrophilize the corona discharge.
- but the effect varies depending on the cells used, and is not permanent. Please use coating as needed.
- This product may be damaged by shock and stress. Prevent you from increasing impossible power
- For use of this product, cultures at temperatures higher than 50 °C are not recommended.
- It is important to slowly tear off the film, to avoid protrusion of a part upon opening.
- Use the O ring after wetting with the culture medium. Couple the main body horizontally to sandwich the O ring for connectiong the main body A and B. Failure to use an O ring may result in leakage. Use UniWells Filter as needed.
- Attach the main body after connecting to an adapter.

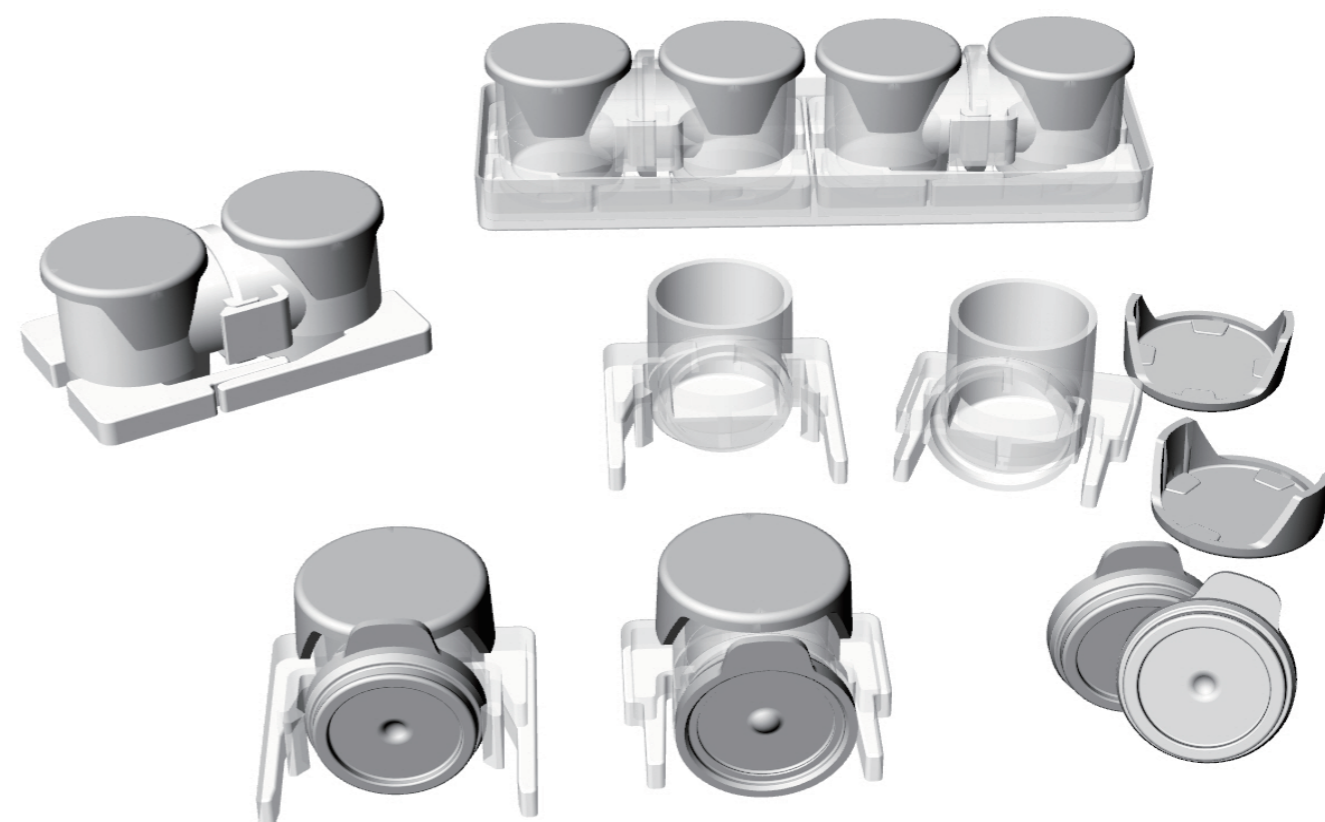
Package

- Main Body A 2
- Main Body B 2
- Cover 4
- Common Cover 4
- Adapter . . . 1
- O ring 2

Materials

- Main Body :PS
- Adapter :PS
- Cover :PP
- Common Cover :LDPE
- Film :PE, PET
- Tray :PS
- O-ring : Silicon

UniWells™ Horizontal co-culture plate

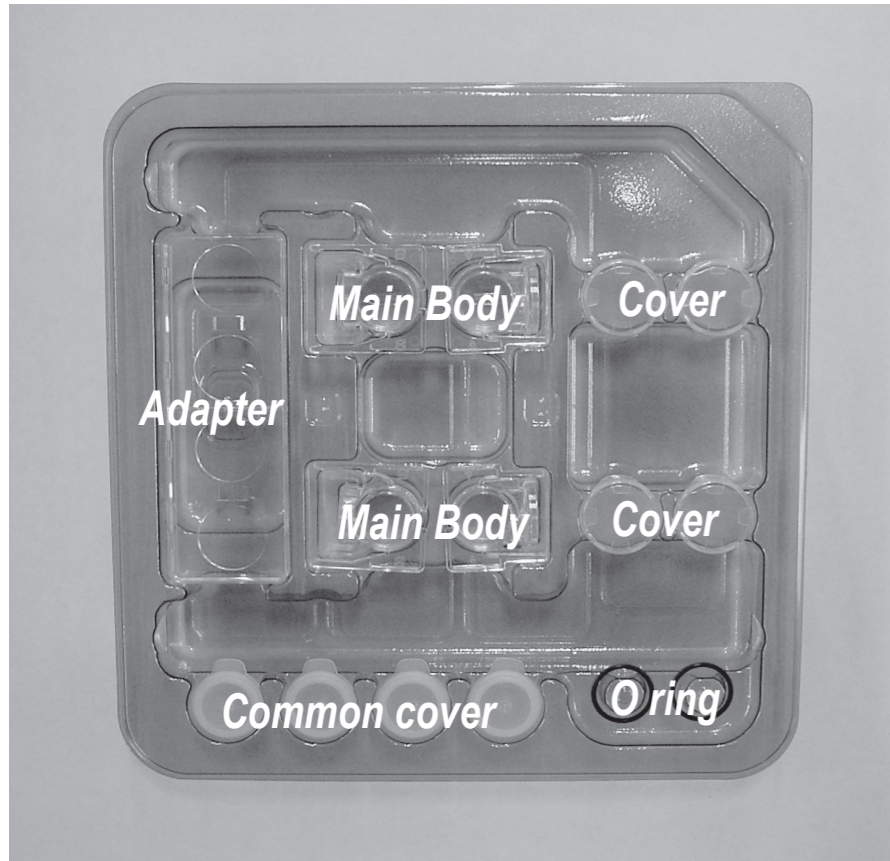


FUJIFILM Wako Pure Chemical Corporation

Licensed from Ginrei Lab, Inc. <https://ginreilab.com/>

Manufactured by Shinko Chemical Co.,Ltd. <http://www.shinko-ccl.co.jp/>

UniWells™ Horizontal co-culture plate

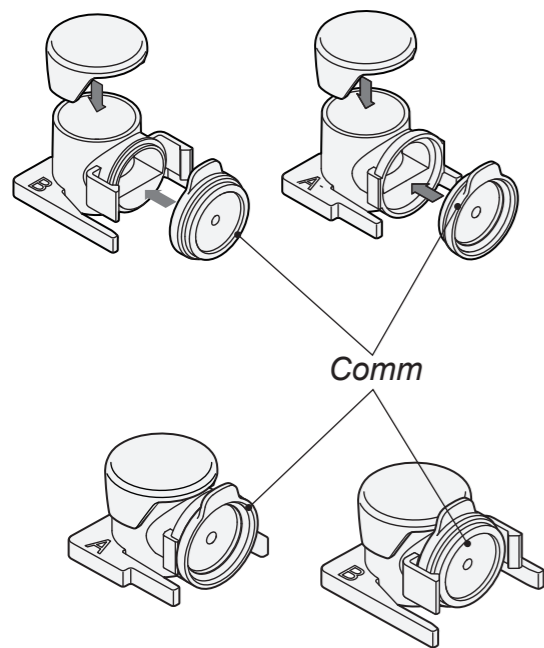


Instructions

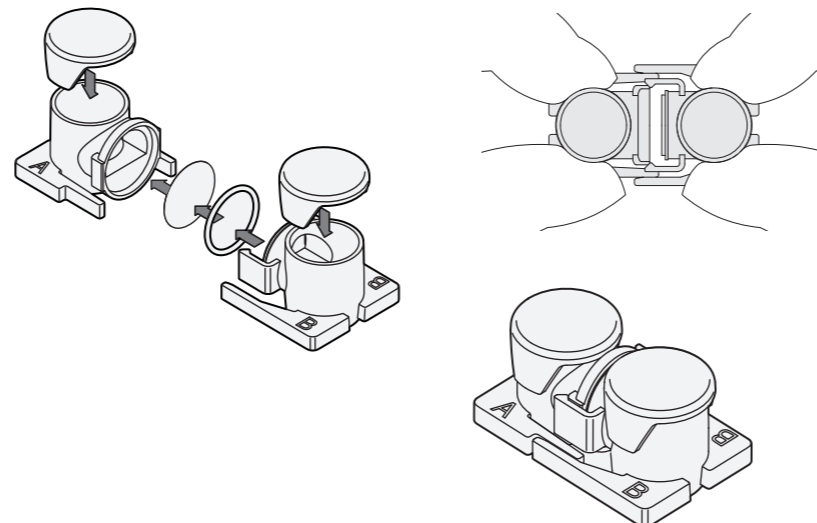
Please pay close attention to the following handling instructions, and use the device carefully. This product is for research and is not meant for use in either treatment or diagnosis. This product is not medical equipment. This product has been used by the corona discharge to hydrophilize it, but the effect varies according to cells and is not permanent. Please add coating as needed. The product is placed in a blister tray, packed with a seal, and sterilized by electron beam. Because it is under continual evaluation for the antibacterial terms of a guarantee, the germfree term of the guarantee is provisionally 2 years. Upon opening this article, please confirm that the status of the entering seal of the Blister tray and 10 sets case does not show abnormalities, such as sign of dropping. If an abnormality is observed, please contact the sales agency. Tear off the seal slowly so that the product does not protrude upon opening blister tray. The germ-free guarantee is invalidated after opening this product. The main body material is polystyrene (PS) and the common cover material is low-density polyethylene (LDPE), both of which have low heat resistance, do not use the device for culture at temperature higher than 50 degrees. PS used for the main bodies is rigid but could be damaged by shock and stress. Use caution in handling the parts without the thickness of the adapter, and prevent you from adding impossible power. Please do not reuse this product. Other than the case of the defective article, returned goods and the exchange are not accepted.

Instruction manual

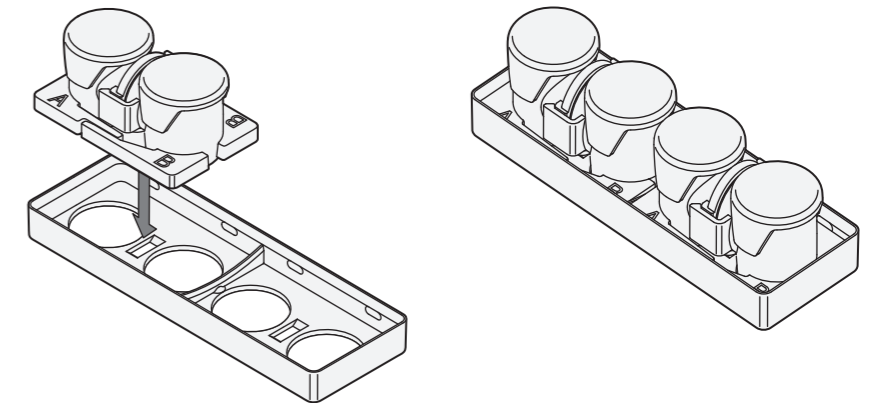
- The common cover is shaped to different fit the main bodies. Please fit it in a direction in accordance with the main body.



- Please use the O ring after you wetting with the culture medium. Couple the main body horizontally to sandwich the O ring for connecting the main body A and B. Failure to use an O ring may result in leakage.



- Attach the main body after connecting to an adapter.



Use UniWells Filter as needed.

Also, please wet the filter with the culture medium.

A filter may be torn.

When you move it, hold the parts separately from the cover.